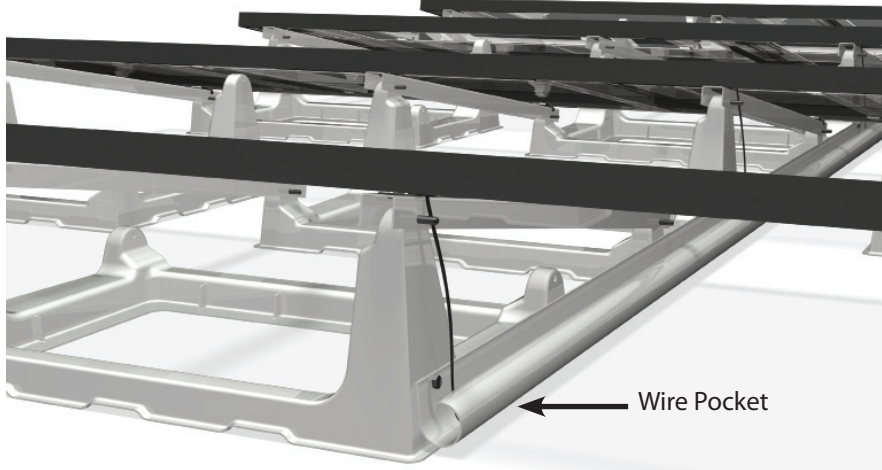


wire•Po ck•et

noun \wī(ə)r pākət\

: a component used to conceal and manage wire efficiently throughout the DynoRaxx Evolution FR.

The DynoRaxx® Wire Pocket is a wire management system that allows installers to create a clean aesthetically pleasing system in little to no time. The Wire Pocket can be used to hide jumpers between rows and is the perfect component for homerun wires. The J Channel design allows wiring to be entered at any point, eliminating the need to fish wires through conduit. Wiring can be laid out and simply tucked into place.



Efficient

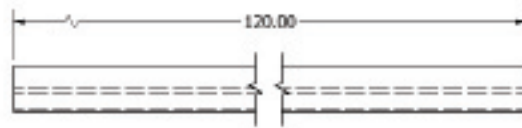
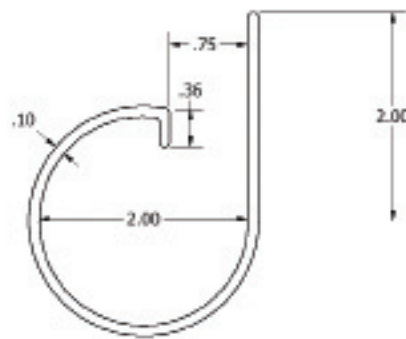
- Wire can enter channel at any point.

Clean

- Wire is virtually hidden on system.

Durable

- Wire is safely protected in all weather conditions.



*Measurement in inches

Simple Three Step Design

1. Layout and zip - tie wire on roof in desired location.
2. Attach DynoRaxx Wire Pocket to the tall leg of the basket using self tapping screws.
3. Tuck wire into Wire Pocket.

DynoRaxx® Wire Pocket is constructed of PVC with UV Inhibitor.
Contact us for more details - 1.866.620.2410