

ev•o•lu•tion

noun \ěv'əloō'shən

: a process of continuous change from a lower, simpler state, to a higher, more complex, or better state
: growth

DynoRaxx® Evolution delivers a tool-less ballasted racking system for mounting PV solar panels on flat roofs and surfaces. The proprietary design of the DynoRaxx® ballasted-racking system has been created to simplify and speed installation without compromising quality or performance. With DynoRaxx® Evolution FR, buying commercial solar panel racking has never been more cost-effective.

Three Components

Rugged Construction

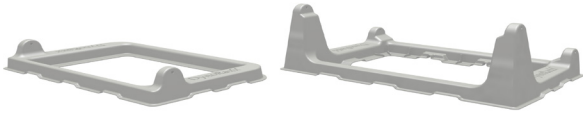
Universal Design

Space-Saving Reverse Basket Design

Base protecting / Non-penetrating

Innovative Design

- Fiberglass
- Proprietary racking enables fast installation in less than half the time of other systems
- Versatility to accommodate all framed PV solar panels on the market
- Eliminates need to penetrate roof with fasteners on most installations
- Smaller footprint than competitive systems saves roof space and adds flexibility
- 10° tilt available
- Elevated system—does not impede water drainage
- Non-corrosive
- No thermal expansion



Two Major Components

Rugged Construction

- Baskets – fiberglass
- Clamps – aluminium

Easy Installation

- Initial measurement and chalk line needed for placement of first row
- Save time and labor to install more modules per hour

High Performance

- PE Certified
- ASCE 7-05 & 7-10 compliant
- IBC compliant
- Wind tunnel tested



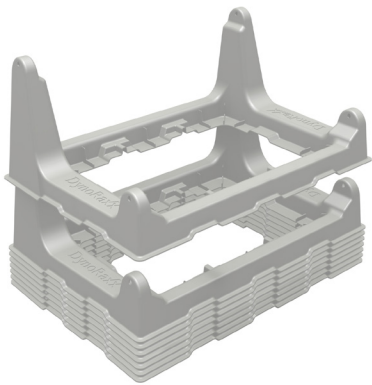
DynoGrip

Fast Turnaround

- No special orders — ships quickly upon receipt of order
- Racking is palletized — no special shipping requirements

Cost-Savings

- Fewer man hours to install
- Baskets stack like cups — Huge Shipping Savings
- A superior, cost-effective solution



Stack for Shipping

DynoRaxx® Evolution Warranty

- DynoRaxx® Evolution carries a 10-year limited material and workmanship warranty.
- Contact us for complete details on the DynoRaxx® warranty.